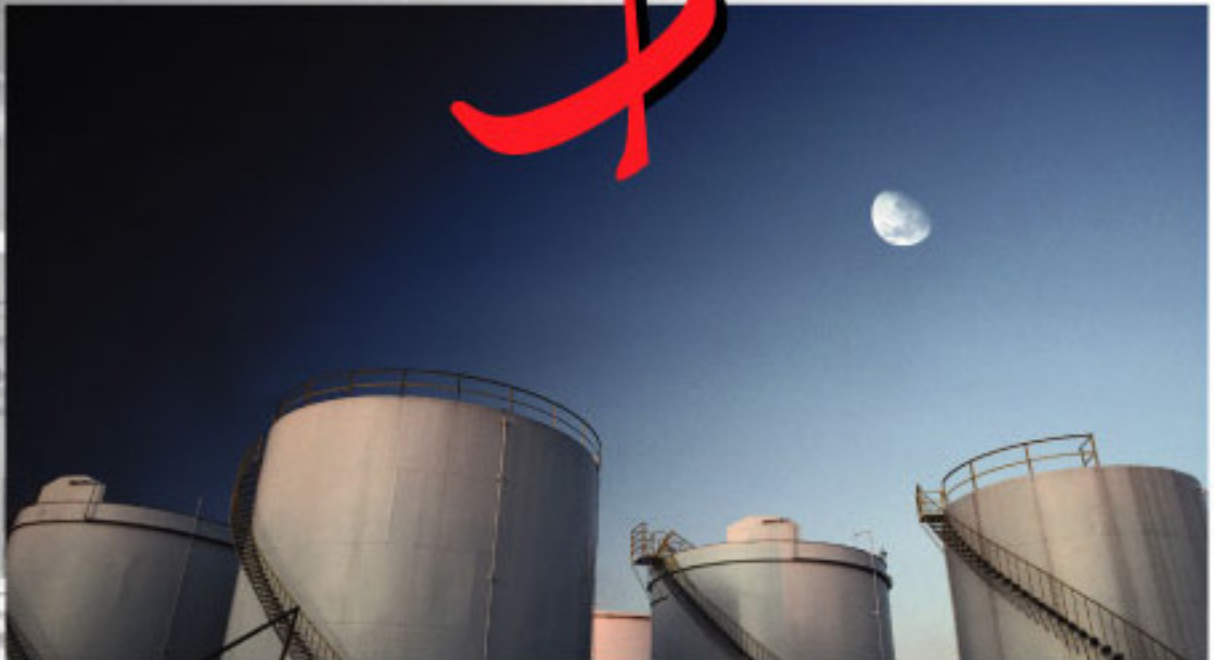


3 B C O N T R O L S



VAPOUR CONTROL PRODUCTS

PRODUCT RANGE
LOW PRESSURE TANK EQUIPMENT

Säätö
www.saato.fi



3 B C O N T R O L S

Our range of low pressure tank equipment is designed to meet the stringent requirements specified within the safe storage of volatile liquids and gasses.

With over 30 years of experience in the Low Pressure tank market, we are perfectly placed to offer products designed and engineered to the highest standard.

We have fully trained Engineers who can provide on site maintenance and Product Specialists for solving more complex problems.

All our products are designed to offer both practical and cost effective solutions to

process conditions in such diverse industries as Petrochemical, Tank storage, Pharmaceutical, Chemical and Oil & Gas. Safety is paramount and no compromise is ever given in our pursuit of excellence whilst we endeavour to offer the following :-

- Prevent damage to process plant
- Prevent product loss
- Protect safety of personnel
- Protect the environment

No products can be despatched from the factory without being fully tested and certified.

“ With over 30 years experience in the Low Pressure tank market, we are perfectly placed to offer products designed and engineered to last.

”



B100 Series Weight loaded Open Vent Pressure & Vacuum Relief Valve

Flow in Nm³/hr

Size		Set Pressure mbarg						Set Vacuum mbarg					
		2	5	10	25	50	70	2	5	10	25	50	70
2" (50mm)	OVER PRESS 10%	65	103	145	231	327	387	32	50	71	113	159	174
	20%	80	127	180	285	402	475	43	68	96	151	214	234
	50%	123	195	273	431	610	721	73	115	163	258	383	400
3" (80mm)	OVER PRESS 10%	147	233	329	515	733	869	72	113	160	255	355	390
	20%	182	290	409	642	905	1071	96	152	215	340	483	527
	50%	276	435	619	978	1383	1634	163	260	369	578	828	902
4" (100mm)	OVER PRESS 10%	261	409	581	923	1305	1547	128	200	285	450	630	700
	20%	322	509	719	1138	1600	1894	172	271	385	607	853	940
	50%	489	772	1100	1736	2463	2900	293	465	656	1027	1456	1600
6" (150mm)	OVER PRESS 10%	582	930	1320	2044	2945	3450	284	452	644	1014	1427	1574
	20%	723	1147	1619	2560	3610	429	385	610	865	1360	1927	2114
	50%	1108	1740	2479	3910	5544	6550	657	1085	1457	2300	3300	3615
8" (200mm)	OVER PRESS 10%	1050	1650	2343	3678	5239	6187	509	805	1129	1798	2545	2800
	20%	1290	2039	2890	4560	6431	7631	686	1085	1535	2420	3424	3750
	50%	1970	3110	4022	5952	8829	11649	1173	1856	2617	4156	5786	6410
10" (250mm)	OVER PRESS 10%	1632	2590	3632	5770	8120	9678	800	1255	1389	2780	3925	4293
	20%	2020	3189	4500	7098	10009	11910	1013	1700	2400	3790	5350	5857
	50%	3081	4854	6900	9756	15400	18110	1823	2900	4087	6423	8345	9997
12" (300mm)	OVER PRESS 10%	2350	3725	5250	8315	11789	13890	1155	1780	2667	3987	5749	6200
	20%	2897	4600	6465	10271	14440	17123	1548	2440	3450	5489	7698	8448
	50%	4446	7000	9934	15650	22100	26209	2643	4150	5868	9230	13090	14210

The B100 Series ensures that tanks and vessels are kept safe during periods of excessive pressure and vacuum caused by filling and emptying of product and changes in temperature due to climatic or external fire sources.

OPEN VENT



- Open or Closed vent available
- Standard Pressure settings + 2 mbarg to 100 mbarg
- Standard Vacuum settings - 2 mbarg to - 60 mbarg
- Size range 2" (50 mm) - 12" (300 mm)
- Standard body materials - Aluminium, Carbon steel, Stainless steel
- Standard trim material - Stainless steel
- Diaphragm material - FEP
- Removable seats
- Standard full form flanges - ANSI / DIN
- Lightweight design
- **Non standard applications - Consult factory**



3B CONTROLS

3B CONTROLS



PRESSURE & VACUUM RELIEF VALVES

PRESSURE & VACUUM RELIEF VALVES

FEATURES

Low cost maintenance

Lightweight design provides easy handling whilst interchangeable components ensure standard parts are easily replaced.

Testing / Quality

All products are factory tested and fully certified.

Self Draining

All products are designed so that any condensate drains away from all seating areas.

Low leakage

Standard seating design ensures minimum leakage of less than 1 scfh at 90% of set pressure.

Internal Parts

Internal parts are stainless steel as standard. Non standard materials available upon request.

Connections

All valves are supplied with full form flanges to meet individual requirements. Other connections are available upon request.

Non Standard Applications

There are numerous options available for special applications. Exotic materials such as Hastelloy, monel and various plastics can be offered to suit the most hazardous of environments. Special coatings can be applied for extreme service. For low temperature duties, internal parts can be PTFE coated to prevent seizure.

See separate section in catalogue.

* All products are subject to continuous development and subsequently 3B Controls reserve the right to change specifications outlined in this catalogue without notification.

MATERIALS

Body

Aluminium
Carbon Steel
Stainless Steel

Diaphragm

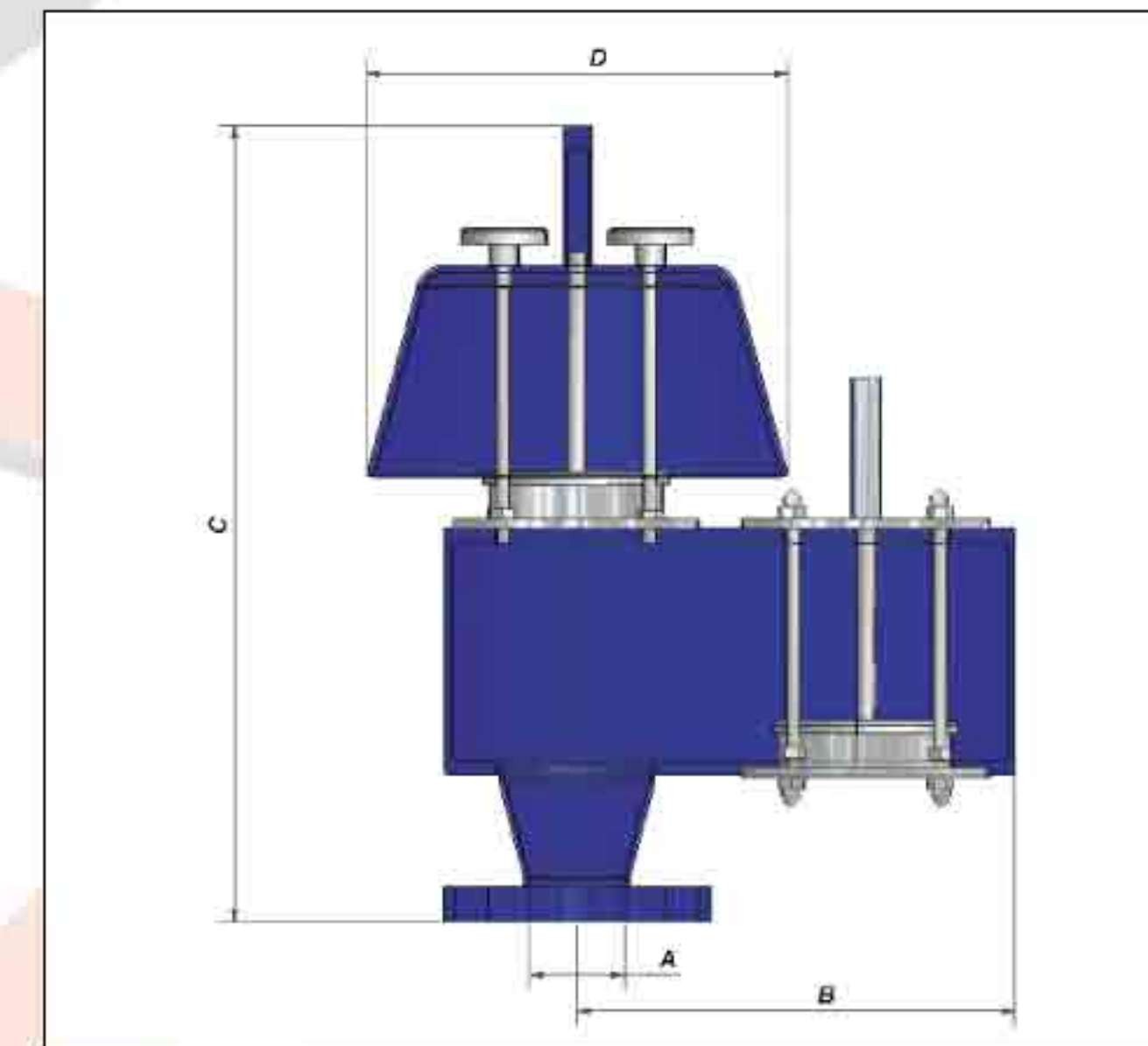
F.E.P.
Others consult factory

Internals

Stainless Steel

Flanges

ANSI 125 ANSI 150 RF
DIN Standard flanges



DIMENSIONS

NOM SIZE	A	B	C	D
50 (2")	54	250	453	230
80 (3")	84	287	498	264
100 (4")	108	330	548	304
150 (6")	161	380	603	350
200 (8")	211	437	663	402
250 (10")	255	503	729	462
300 (12")	305	578	802	531



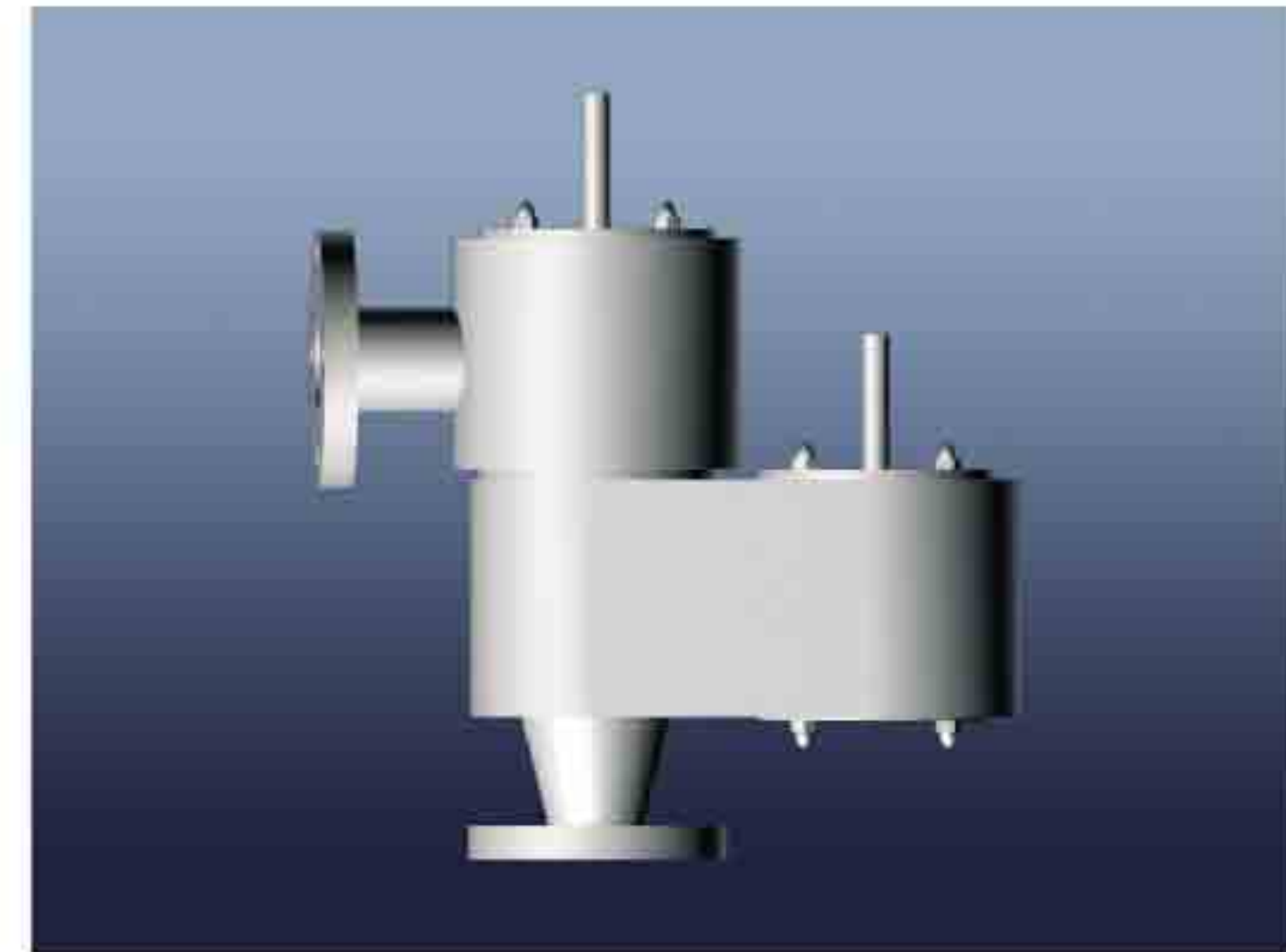
B100 Series Weight loaded Closed vented Pressure & Vacuum Relief Valve

Flow in Nm³/hr

Size		Set Pressure mbarg						Set Vacuum mbarg					
		2	5	10	25	50	70	2	5	10	25	50	70
2" (50mm)	OVER PRESS 10%	30	46	67	105	150	180	32	50	71	113	159	174
	20%	36	57	82	125	184	210	43	68	96	151	214	234
	50%	71	113	155	250	358	410	73	115	163	258	383	400
3" (80mm)	OVER PRESS 10%	68	103	152	243	349	409	72	113	160	255	355	390
	20%	79	131	188	292	411	480	96	152	215	340	483	527
	50%	155	250	352	555	772	930	163	260	369	578	828	902
4" (100mm)	OVER PRESS 10%	120	191	277	427	593	711	128	200	285	450	630	700
	20%	145	232	320	500	724	851	172	271	385	607	853	940
	50%	280	446	623	1006	1400	1647	293	465	656	1027	1456	1600
6" (150mm)	OVER PRESS 10%	277	432	613	949	1352	1649	284	452	644	1014	1427	1574
	20%	321	512	727	1153	1652	1900	385	610	865	1360	1927	2114
	50%	623	1001	1398	2200	3100	3693	657	1085	1457	2300	3300	3615
8" (200mm)	OVER PRESS 10%	470	750	1050	1700	2400	2800	509	805	1129	1798	2545	2800
	20%	580	900	1260	2050	2900	3400	686	1085	1535	2420	3424	3750
	50%	1100	1750	2490	3900	5609	6600	1173	1856	2617	4156	5786	6410
10" (250mm)	OVER PRESS 10%	755	1202	1669	2658	3759	4500	800	1255	1389	2780	3925	4293
	20%	904	1397	2003	3153	4604	5207	1013	1700	2400	3790	5350	5857
	50%	1708	2750	3909	6197	8600	10300	1823	2900	4087	6423	8345	9997
12" (300mm)	OVER PRESS 10%	1048	1702	2453	3801	5403	6298	1155	1780	2667	3987	5749	6200
	20%	1299	2055	2902	4510	6405	7507	1548	2440	3450	5489	7698	8448
	50%	2510	4001	5600	8798	12497	14806	2643	4150	5868	9230	13090	14210

The B100 Series ensures that tanks and vessels are kept safe during periods of excessive pressure and vacuum caused by filling and emptying of product and changes in temperature due to climatic or external fire sources.

CLOSED VENT



- Open or Closed vent available
- Standard Pressure settings + 2 mbarg to 100 mbarg
- Standard Vacuum settings: - 2 mbarg to - 60 mbarg
- Size range 2" (50 mm) - 12" (300 mm)
- Standard body materials - Aluminium, Carbon steel, Stainless steel
- Standard trim material - Stainless steel
- Diaphragm material - FEP
- Removable seats
- Standard full form flanges - ANSI / DIN
- Lightweight design
- **Non standard applications - Consult factory**



3B CONTROLS

3B CONTROLS



PRESSURE & VACUUM RELIEF VALVES

PRESSURE & VACUUM RELIEF VALVES

FEATURES

Low cost maintenance

Lightweight design provides easy handling whilst interchangeable components ensure standard parts are easily replaced.

Testing / Quality

All products are factory tested and fully certified.

Self Draining

All products are designed so that any condensate drains away from all seating areas.

Low leakage

Standard seating design ensures minimum leakage of less than 1 scfh at 90% of set pressure.

Internal Parts

Internal parts are stainless steel as standard. Non standard materials available upon request.

Connections

All valves are supplied with full form flanges to meet individual requirements. Other connections are available upon request.

Non Standard Applications

There are numerous options available for special applications. Exotic materials such as Hastelloy, Monel and various plastics can be offered to suit the most hazardous of environments. Special coatings can be applied for extreme service. For low temperature duties, internal parts can be PTFE coated to prevent seizure.

See separate section in catalogue.

* All products are subject to continuous development and subsequently 3B Controls reserve the right to change specifications outlined in this catalogue without notification.

MATERIALS

Body

Aluminium
Carbon Steel
Stainless Steel

Diaphragm

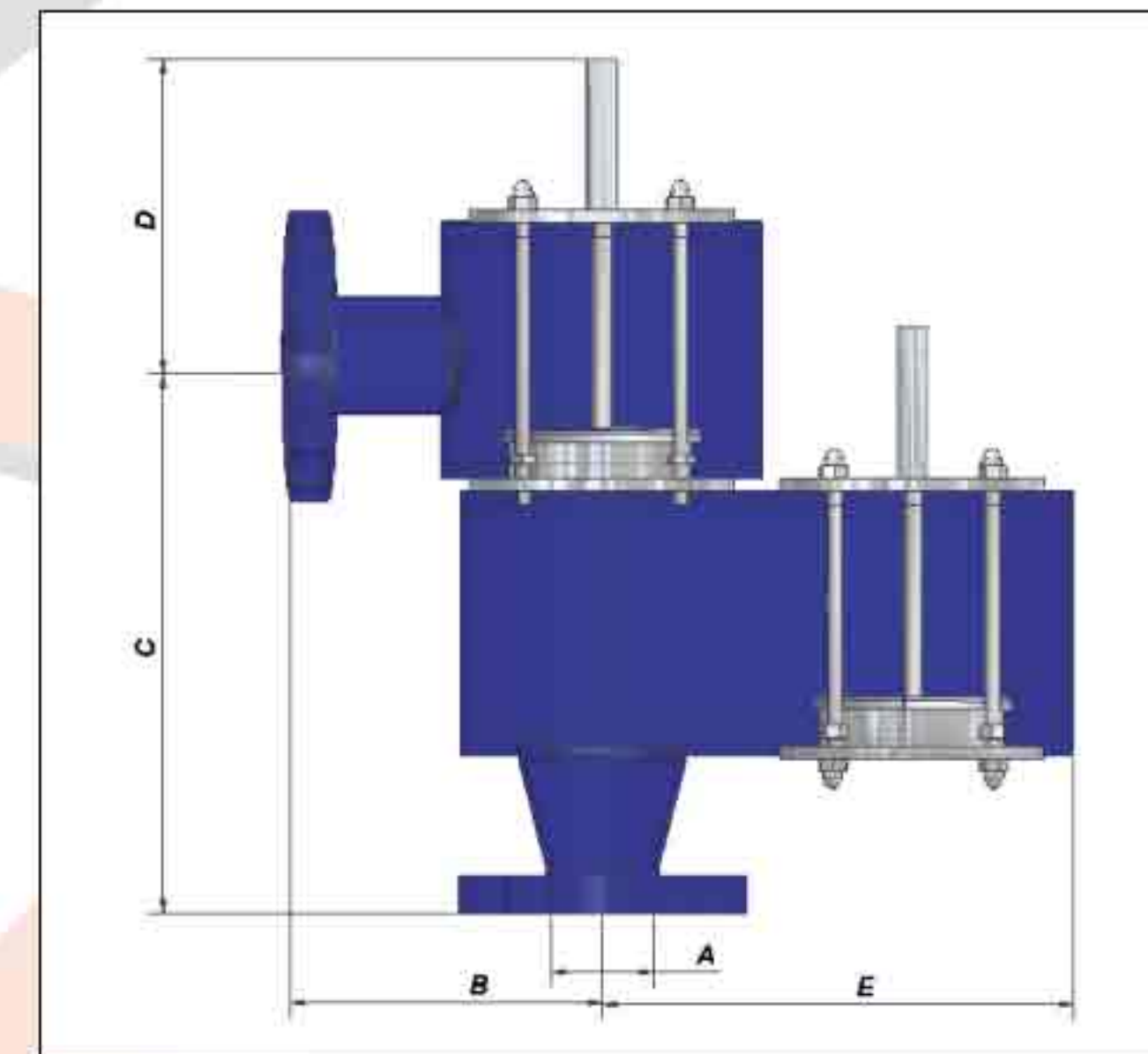
F.E.P
Others consult factory

Internals

Stainless Steel

Flanges

ANSI 125 ANSI 150 RF
DIN Standard flanges



DIMENSIONS

NOM SIZE	A	B	C	D	E
50 (2")	54	165	285	167	250
80 (3")	84	190	328	192	287
100 (4")	108	218	410	221	330
150 (6")	161	251	471	254	380
200 (8")	211	289	542	292	437
250 (10")	255	332	623	336	503
300 (12")	305	382	716	386	578

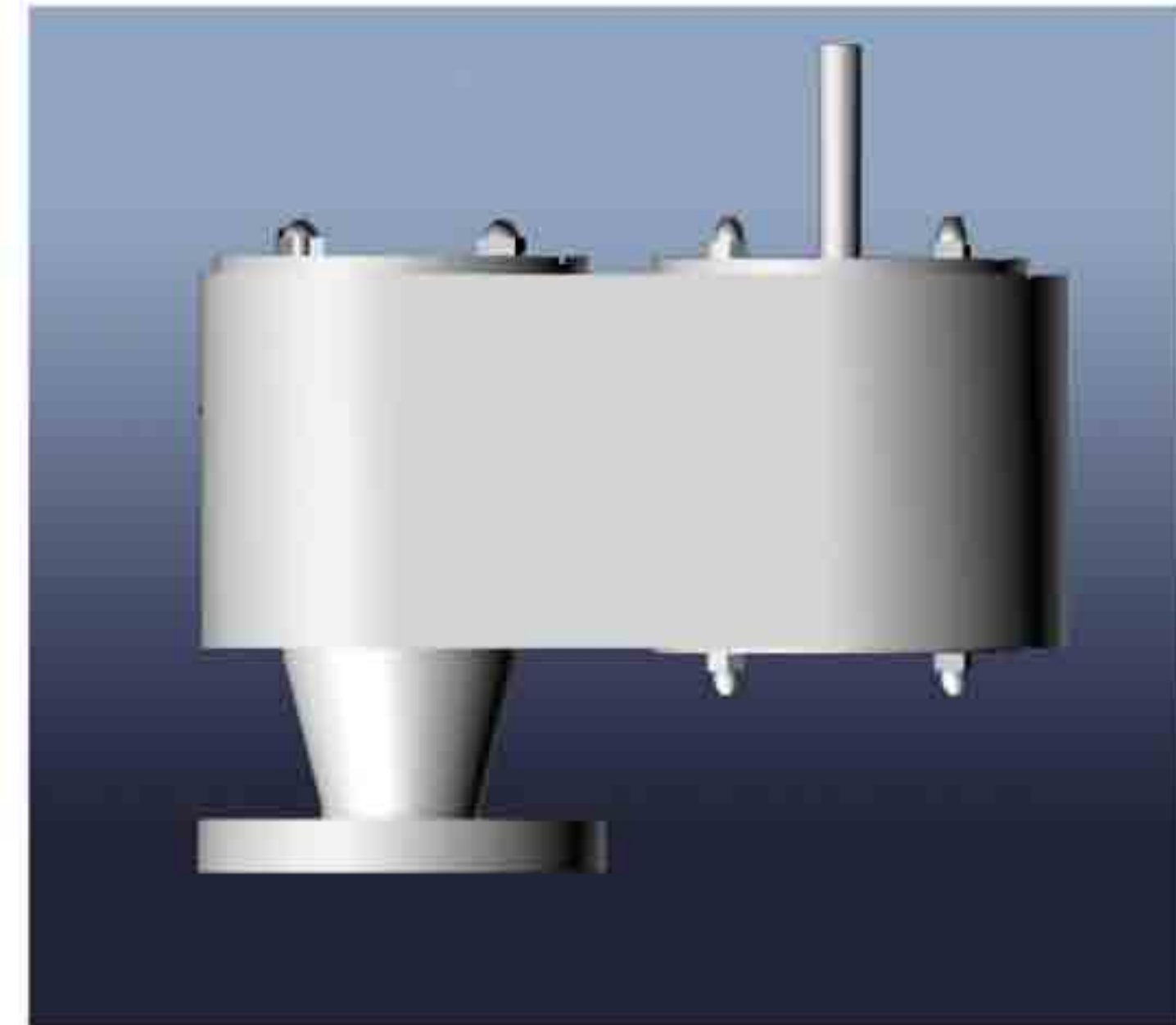


B200 Series Weight loaded Vacuum Relief Valve

The B200 Series ensures that tanks and vessels are kept safe during periods of excessive vacuum caused by emptying of product and changes in temperature due to climatic changes.

Flow in Nm³/hr

Size	Set Vacuum mbarg							
	2	5	10	25	50	60		
2" (50mm)	OVER PRESS	10%	32	50	71	113	159	174
		20%	43	68	96	151	214	234
		50%	73	115	163	258	363	400
3" (80mm)	OVER PRESS	10%	72	113	160	255	355	390
		20%	96	152	215	340	483	527
		50%	163	260	369	578	828	902
4" (100mm)	OVER PRESS	10%	128	200	285	450	630	700
		20%	172	271	385	607	853	940
		50%	293	465	656	1027	1456	1600
6" (150mm)	OVER PRESS	10%	284	452	644	1014	1427	1574
		20%	385	610	865	1360	1927	2114
		50%	657	1085	1457	2300	3300	3615
8" (200mm)	OVER PRESS	10%	509	805	1129	1798	2545	2800
		20%	686	1085	1535	2420	3424	3750
		50%	1173	1856	2617	4156	5786	6410
10" (250mm)	OVER PRESS	10%	800	1255	1389	2780	3925	4293
		20%	1013	1700	2400	3790	5350	5857
		50%	1823	2900	4087	6423	8345	9997
12" (300mm)	OVER PRESS	10%	1155	1780	2667	3987	5749	6200
		20%	1548	2440	3450	5489	7698	8448
		50%	2643	4150	5868	9230	13090	14210



- Standard Vacuum settings - 2 mbarg to - 60 mbarg
- Size range 2" (50 mm) - 12" (300 mm)
- Standard body materials - Aluminium, Carbon steel, Stainless steel
- Standard trim material - Stainless steel
- Diaphragm material - FEP
- Removable seats
- Standard full form flanges - ANSI / DIN
- Lightweight design
- **Non standard applications - Consult factory**



PRESSURE & VACUUM RELIEF VALVES

PRESSURE & VACUUM RELIEF VALVES

FEATURES

Low cost maintenance

Lightweight design provides easy handling whilst interchangeable components ensure standard parts are easily replaced.

Testing / Quality

All products are factory tested and fully certified.

Self Draining

All products are designed to ensure that condensate drains away from all seating areas.

Low leakage

Standard seating design ensures minimum leakage of less than 1 scfh at 90% of set pressure.

Internal Parts

Internal parts are stainless steel as standard. Non standard materials available upon request.

Connections

All valves are supplied with full form flanges to meet individual requirements. Other connections are available upon request.

Non Standard Applications

There are numerous options available for special applications. Exotic materials such as Hastelloy, Monel and various plastics can be offered to suit the most hazardous of environments. Special coatings can also be applied for extreme service. For low temperature duties, internal parts can be PTFE coated to prevent seizure.

See separate section in catalogue.

* All products are subject to continuous development and subsequently 3B Controls reserve the right to change specifications outlined in this catalogue without notification.

MATERIALS

Body

Aluminium
Carbon Steel
Stainless Steel

Diaphragm

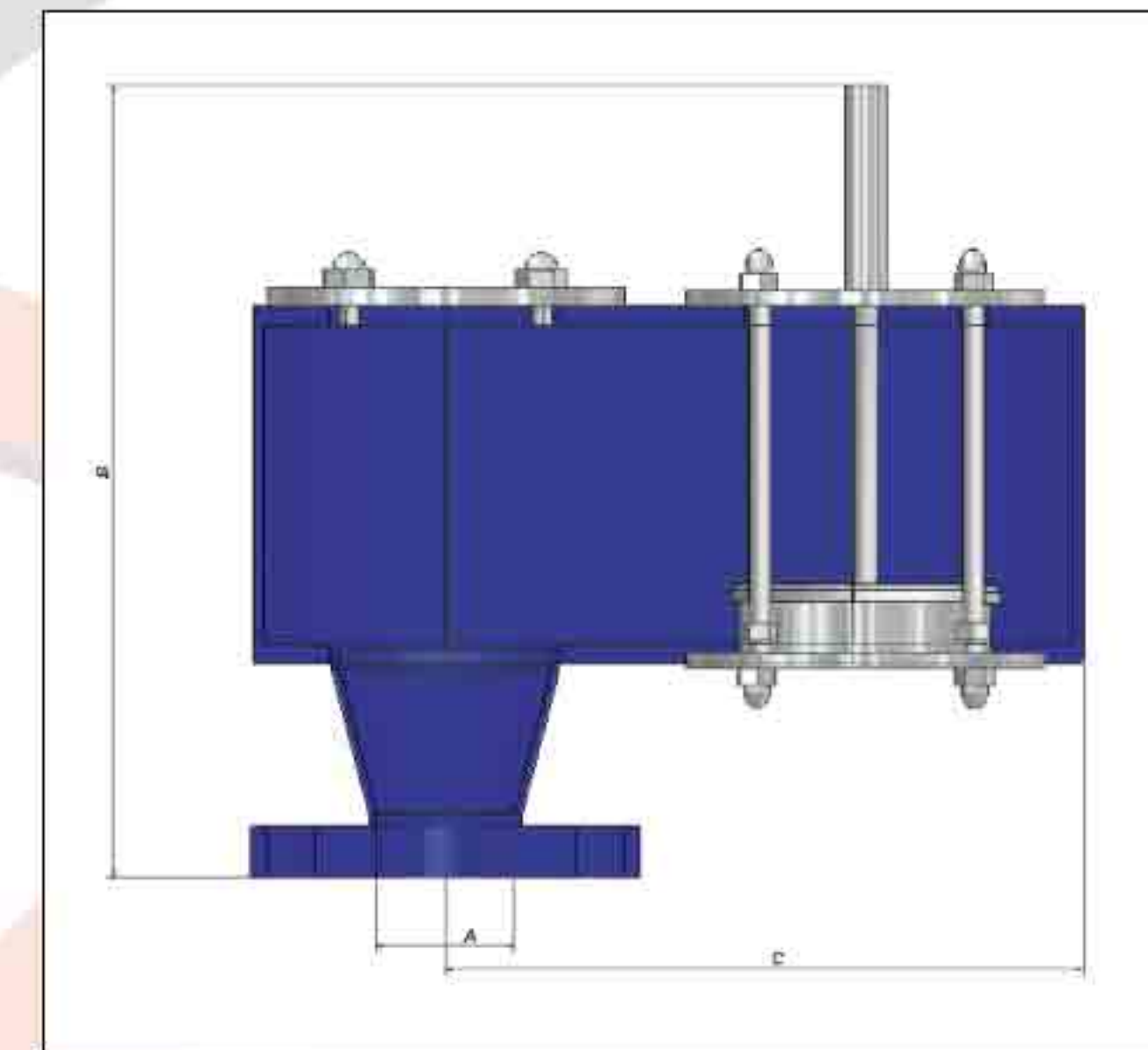
F.E.P.
Others consult factory

Internals

Stainless Steel

Flanges

ANSI 125 ANSI 150 RF
DIN Standard flanges



DIMENSIONS

NOM SIZE	A	B	C
50 (2")	54	310	250
80 (3")	84	341	287
100 (4")	108	375	330
150 (6")	161	412	380
200 (8")	211	454	437
250 (10")	255	499	503
300 (12")	305	549	578



B300 Series Weight loaded Open Vent Pressure Relief Valve

Flow in Nm³/hr

Size			Set Pressure mbarg					
			2	5	10	25	50	70
2" (50mm)	OVER PRESS	10%	65	103	146	231	326	386
		20%	85	134	190	300	424	501
		50%	130	206	292	461	652	770
3" (80mm)	OVER PRESS	10%	147	232	329	520	735	868
		20%	191	302	427	676	955	1129
		50%	294	465	657	1039	1467	1734
4" (100mm)	OVER PRESS	10%	262	413	585	925	1307	1545
		20%	340	538	760	1202	1698	2007
		50%	523	827	1169	1847	2609	3083
6" (150mm)	OVER PRESS	10%	588	932	1316	2080	2937	3477
		20%	765	1211	1710	2704	3822	4517
		50%	1177	1860	2630	4156	5870	6938
8" (200mm)	OVER PRESS	10%	1047	1654	2340	3700	5230	6172
		20%	1361	2152	3044	4809	6791	8030
		50%	2092	3308	4677	7389	10436	12335
10" (250mm)	OVER PRESS	10%	1637	2586	3655	5780	8163	9652
		20%	2126	3363	4753	7512	10610	12546
		50%	3269	5168	7308	11545	16306	19274
12" (300mm)	OVER PRESS	10%	2358	3728	5267	8321	11768	13892
		20%	3062	4842	6846	10818	15282	18067
		50%	4708	7443	10523	16626	23481	27754

The B300 Series ensures that tanks and vessels are kept safe during periods of excessive pressure caused by filling of product and changes in temperature due to climatic or external fire sources.

OPEN VENT



- Open or Closed vent available
- Closed vent can operate as a vacuum relief valve
- Standard Pressure settings + 2 mbarg to 100 mbarg
- Size range 2" (50 mm) - 12" (300 mm)
- Standard body materials - Aluminium, Carbon steel, Stainless steel
- Standard trim material - Stainless steel
- Diaphragm material - FEP
- Removable seats
- Standard full form flanges - ANSI / DIN
- Lightweight design
- **Non standard applications - Consult factory**



3B CONTROLS

3B CONTROLS



PRESSURE & VACUUM RELIEF VALVES

PRESSURE & VACUUM RELIEF VALVES

FEATURES

Low cost maintenance

Lightweight design provides easy handling whilst interchangeable components ensure standard parts are easily replaced.

Testing / Quality

All products are factory tested and fully certified.

Self Draining

All products are designed to ensure that condensate drains away from all seating areas.

Low leakage

Standard seating design ensures minimum leakage of less than 1 scfh at 90% of set pressure.

Internal Parts

Internal parts are stainless steel as standard. Non standard materials available upon request.

Connections

All valves are supplied with full form flanges to meet individual requirements. Other connections are available upon request.

Non Standard Applications

There are numerous options available for special applications. Exotic materials such as Hastelloy, Monel and various plastics can be offered to suit the most hazardous of environments. Special coatings can also be applied for extreme service. For low temperature duties, internal parts can be PTFE coated to prevent seizure.

See separate section in catalogue.

* All products are subject to continuous development and subsequently 3B Controls reserves the right to change specifications outlined in this catalogue without notification.

MATERIALS

Body

Aluminium
Carbon Steel
Stainless Steel

Diaphragm

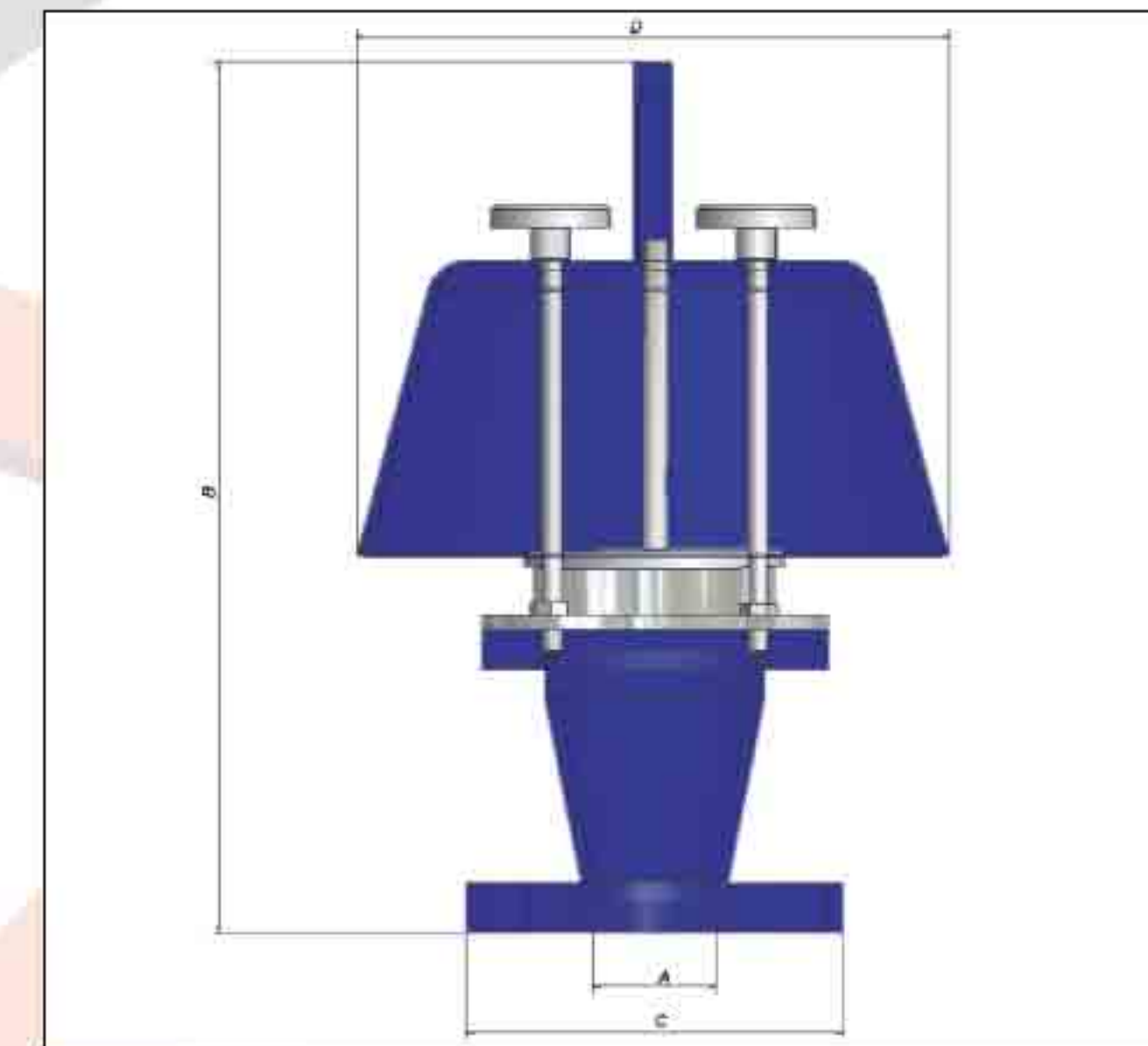
F.E.P
Others consult factory

Internals

Stainless Steel

Flanges

ANSI 125 ANSI 150 RF
DIN Standard flanges



DIMENSIONS

NOM SIZE	A	B	C	D
50 (2")	54	351	152	230
80 (3")	84	403	190	264
100 (4")	108	463	229	304
150 (6")	161	533	279	350
200 (8")	211	613	343	402
250 (10")	255	705	406	462
300 (12")	305	811	483	531



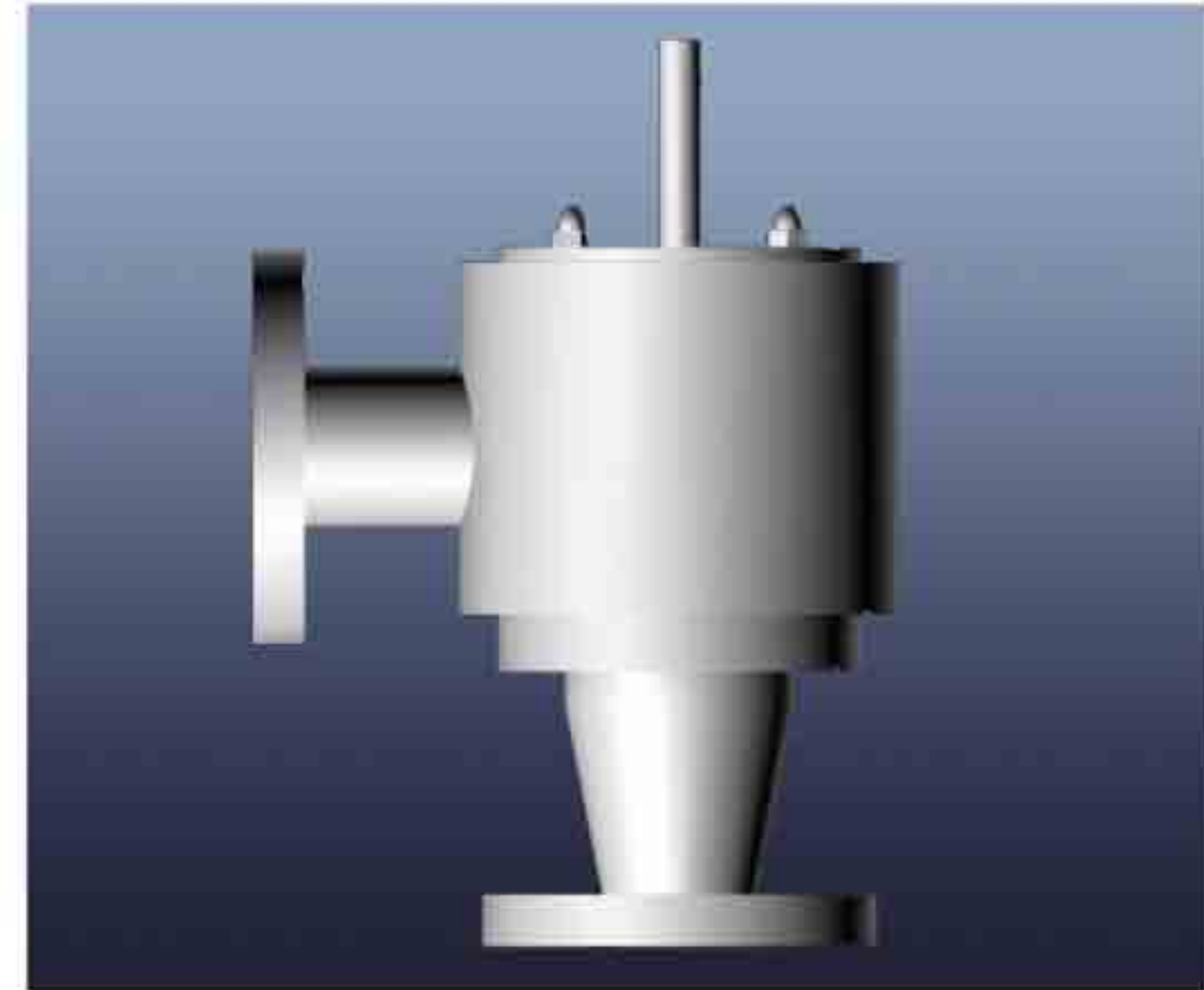
B300 Series Weight loaded Closed Vent Pressure or Vacuum Relief Valve

Flow in Nm³/hr

Size			Set Pressure mbarg					
			2	5	10	25	50	70
2" (50mm)	OVER PRESS	10%	27	43	61	98	138	163
		20%	36	58	81	129	182	216
		50%	70	111	156	247	350	413
3" (80mm)	OVER PRESS	10%	62	98	140	221	312	369
		20%	82	129	183	290	409	484
		50%	157	249	353	557	787	930
4" (100mm)	OVER PRESS	10%	111	177	249	390	555	659
		20%	145	230	327	516	725	865
		50%	280	443	627	990	1400	1653
6" (150mm)	OVER PRESS	10%	252	396	554	876	1247	1465
		20%	330	521	735	1162	1644	1941
		50%	631	998	1411	2230	3147	3720
8" (200mm)	OVER PRESS	10%	445	700	993	1583	2225	2621
		20%	586	925	1308	2066	2927	3453
		50%	1122	1772	2503	3963	5600	6619
10" (250mm)	OVER PRESS	10%	697	1103	1560	2462	3481	4123
		20%	915	1446	2045	3231	4565	5397
		50%	1753	2771	3919	6190	8739	10340
12" (300mm)	OVER PRESS	10%	1005	1588	2250	3555	5021	5930
		20%	1317	2082	2945	4659	6588	7772
		50%	2525	3990	5646	8912	12590	14893

The B300 Series ensures that tanks and vessels are kept safe during periods of excessive pressure caused by filling of product and changes in temperature due to climatic or external fire sources.

CLOSED VENT



- Open or Closed vent available
- Closed vent can operate as a vacuum relief valve
- Standard Pressure settings + 2 mbarg to 100 mbarg
- Size range 2" (50 mm) - 12" (300 mm)
- Standard body materials - Aluminium, Carbon steel, Stainless steel
- Standard trim material - Stainless steel
- Diaphragm material - FEP
- Removable seats
- Standard full form flanges - ANSI / DIN
- Lightweight design
- **Non standard applications - Consult factory**



PRESSURE & VACUUM RELIEF VALVES

PRESSURE & VACUUM RELIEF VALVES

FEATURES

Low cost maintenance

Lightweight design provides easy handling whilst interchangeable components ensure standard parts are easily replaced.

Testing / Quality

All products are factory tested and fully certified.

Self Draining

All products are designed to ensure that condensate drains away from all seating areas.

Low leakage

Standard seating design ensures minimum leakage of less than 1 scfh at 90% of set pressure.

Internal Parts

Internal parts are stainless steel as standard. Non standard materials available upon request.

Connections

All valves are supplied with full form flanges to meet individual requirements. Other connections are available upon request.

Non Standard Applications

There are numerous options available for special applications. Exotic materials such as Hastelloy, Monel and various plastics can be offered to suit the most hazardous of environments. Special coatings can also be applied for extreme service. For low temperature duties, internal parts can be PTFE coated to prevent seizure.

See separate section in catalogue.

* All products are subject to continuous development and subsequently 3B Controls reserves the right to change specifications outlined in this catalogue without notification.

MATERIALS

Body

Aluminium
Carbon Steel
Stainless Steel

Diaphragm

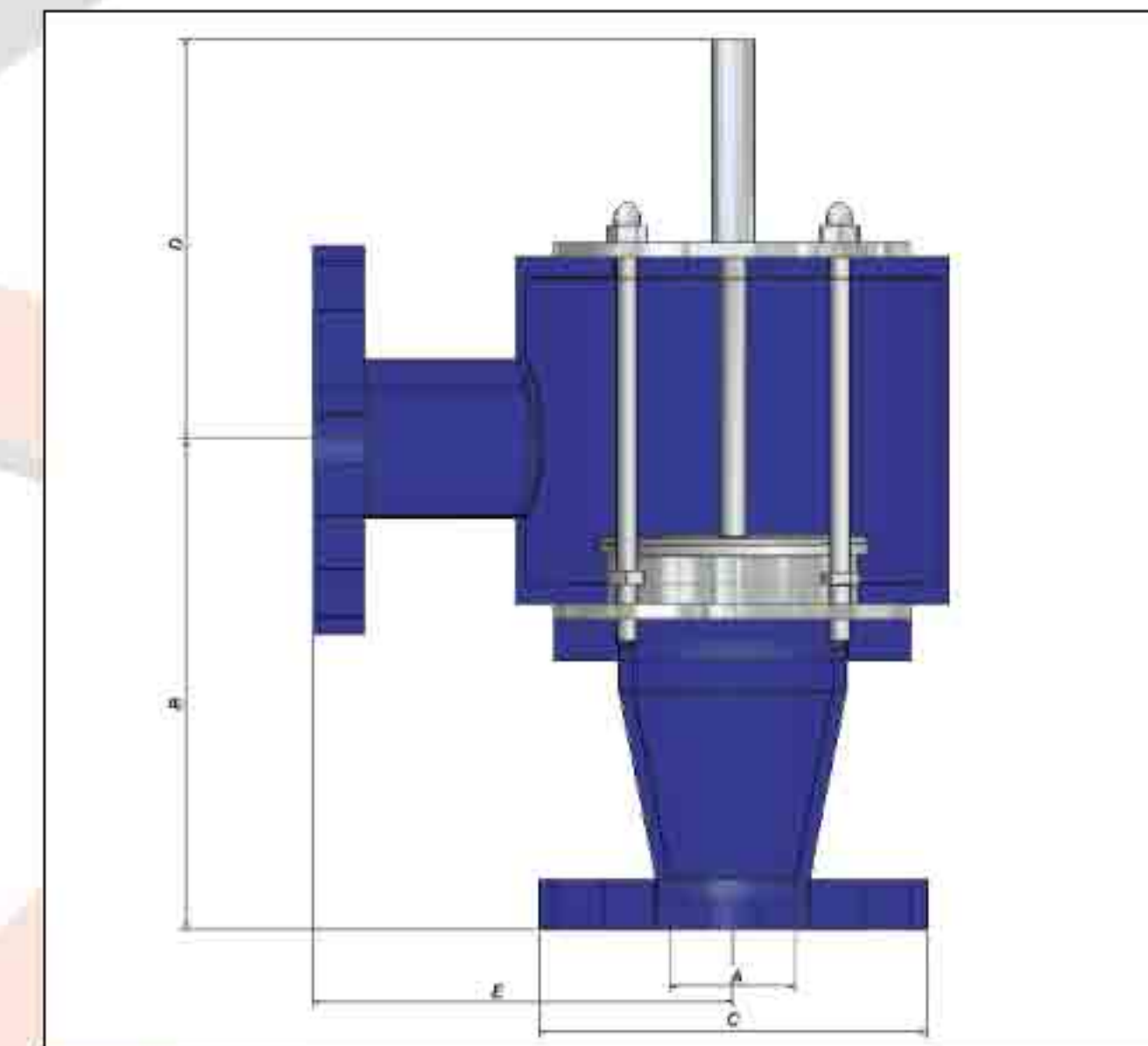
F.E.P
Others consult factory

Internals

Stainless Steel

Flanges

ANSI 125 ANSI 150 RF
DIN Standard flanges



DIMENSIONS

NOM SIZE	A	B	C	D	E
50 (2")	54	193	152	167	165
80 (3")	84	222	190	192	190
100 (4")	108	255	229	221	218
150 (6")	161	293	279	254	251
200 (8")	211	337	343	292	289
250 (10")	255	387	406	336	332
300 (12")	305	445	483	386	382

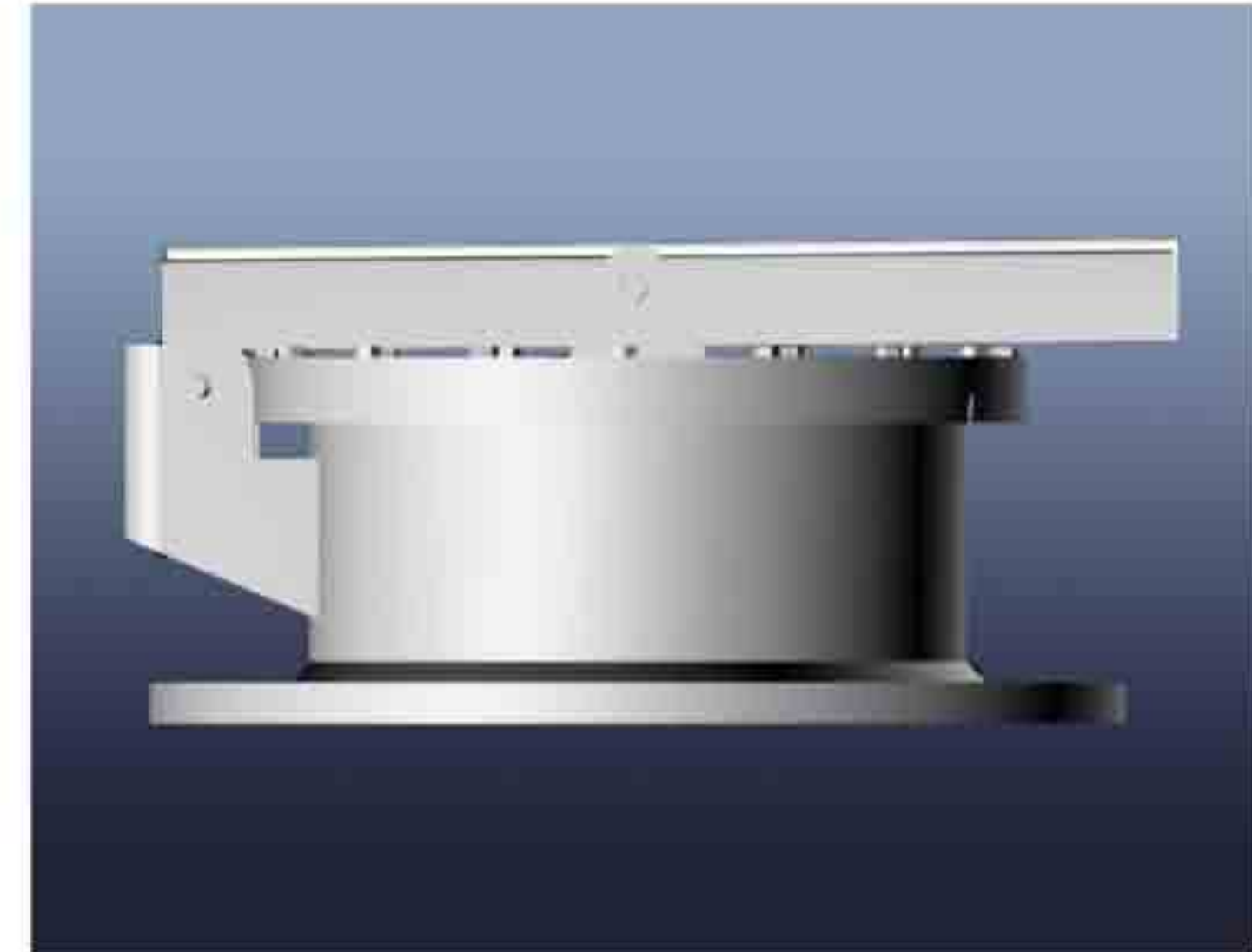


B400 Series Weight Loaded Emergency Relieving Manway

Flow in Nm³/hr

Size		Set Pressure mbarg					
		5	15	30	50	70	100
10" (250mm)	OVER PRESS 10%	2613	4524	6394	8249	9753	11643
	OVER PRESS 20%	2729	4725	6678	8615	10184	12157
	OVER PRESS 50%	3661	4226	8957	11551	13653	16293
12" (300mm)	OVER PRESS 10%	3763	6515	9208	11879	14045	16766
	OVER PRESS 20%	3930	6805	9617	12405	14665	17506
	OVER PRESS 50%	5272	9128	12898	16634	19660	23462
16" (400mm)	OVER PRESS 10%	6890	11582	16370	21118	24967	29807
	OVER PRESS 20%	6987	12097	17097	22053	26071	31121
	OVER PRESS 50%	9373	16227	22930	29570	34950	41710
18" (450mm)	OVER PRESS 10%	8466	14659	20719	26727	31600	37724
	OVER PRESS 20%	8843	15310	21638	27911	32966	39388
	OVER PRESS 50%	11863	20537	29021	37427	44237	52789
20" (500mm)	OVER PRESS 10%	10452	18097	25579	32996	39012	46574
	OVER PRESS 20%	10917	18901	26713	34458	40736	48627
	OVER PRESS 50%	14646	25355	35828	46205	54613	65170
24" (600mm)	OVER PRESS 10%	15052	26060	36833	47515	56177	67066
	OVER PRESS 20%	15721	27218	38467	49619	58660	70024
	OVER PRESS 50%	21090	36511	51594	66536	78643	93847

The B400 Series ensures that tanks and vessels are kept safe during periods of excessive pressure due to external fire sources and also allows access to the tank for inspection / cleaning purposes.



- Standard Pressure settings + 4 mbarg to 140 mbarg
- Size range 10" (250 mm) – 24" (600 mm)
- Standard body materials – Aluminium, Carbon steel, Stainless steel
- Diaphragm material - FEP
- Machinable seats
- Standard drilled flanges – ANSI / DIN / API
- Automatic re seat
- **Non standard applications – Consult factory**



PRESSURE & VACUUM RELIEF VALVES

PRESSURE & VACUUM RELIEF VALVES

FEATURES

Low cost maintenance

Lightweight design provides easy handling whilst interchangeable components ensure standard parts are easily replaced.

Testing / Quality

All products are factory tested and fully certified.

Self Draining

All products are designed to ensure that condensate drains away from all seating areas.

Low leakage

Standard seating design ensures minimum leakage of less than 1 scfh at 90% of set pressure.

Internal Parts

Internal parts are stainless steel as standard. Non standard materials available upon request.

Connections

All valves are supplied with drilled flanges to meet individual requirements.

Non Standard Applications

There are numerous options available for special applications. Exotic materials such as Hastelloy, Monel and various plastics can be offered to suit the most hazardous of environments. Special coatings can also be applied for extreme service. For low temperature duties, internal parts can be PTFE coated to prevent seizure.

See separate section in catalogue.

* All products are subject to continuous development and subsequently 3B Controls reserve the right to change specifications outlined in this catalogue without notification.

MATERIALS

Body

Aluminium
Carbon Steel
Stainless Steel

Diaphragm

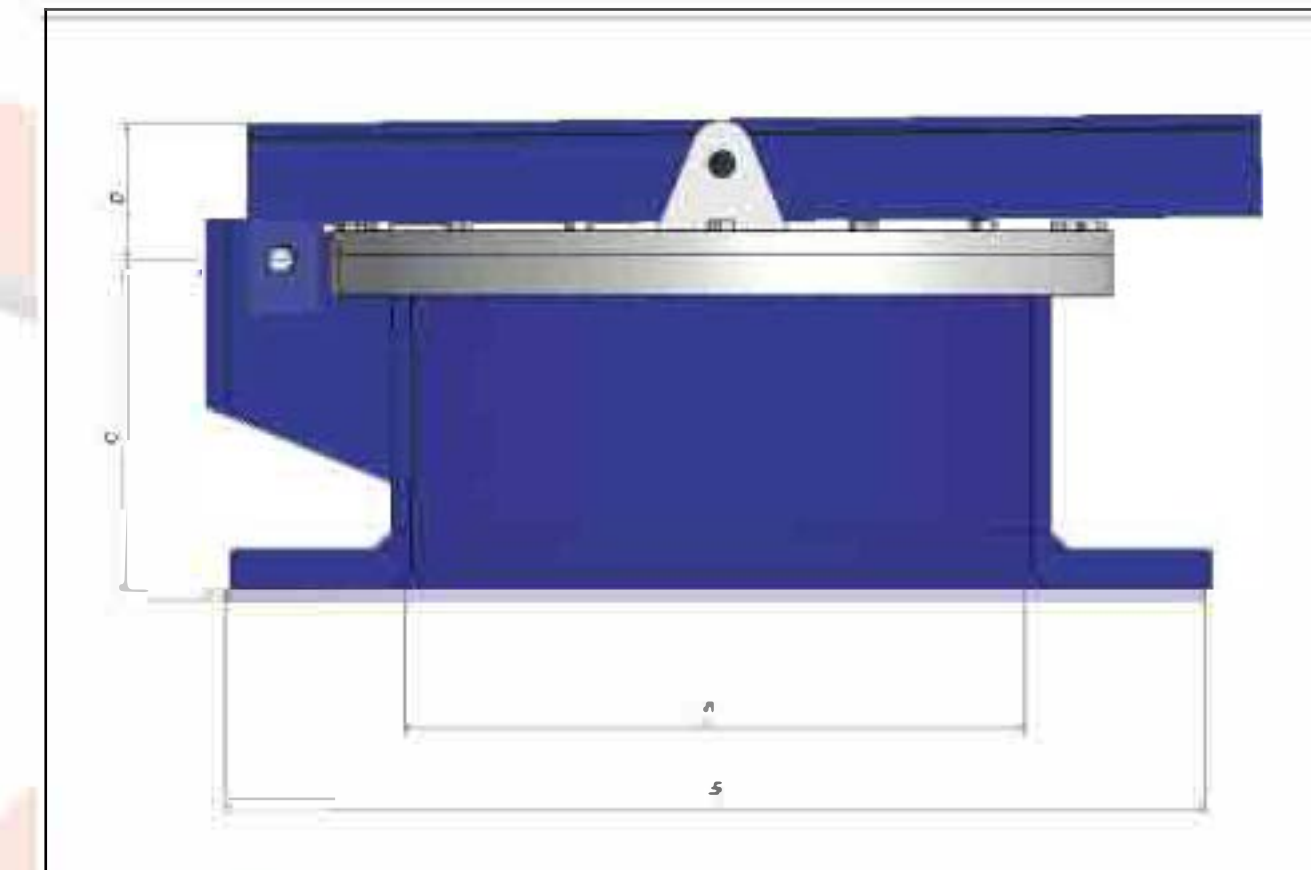
F.E.P
Others consult factory

Internals

Stainless Steel

Flanges

ANSI 125 ANSI 150 RF
DIN Standard flanges

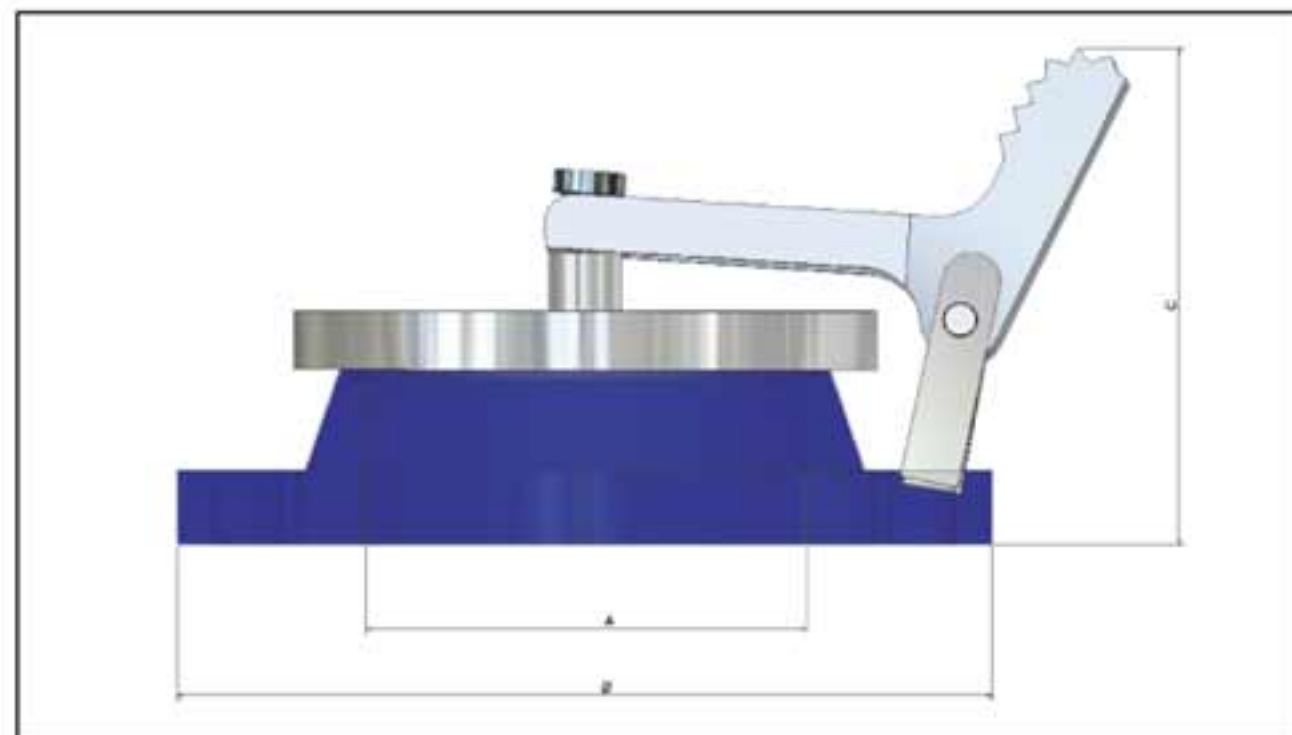


DIMENSIONS

NOM SIZE	A	B	C	D
450 (18")	457	635	176	80
500 (20")	508	698	176	80
600 (24")	609	813	176	80

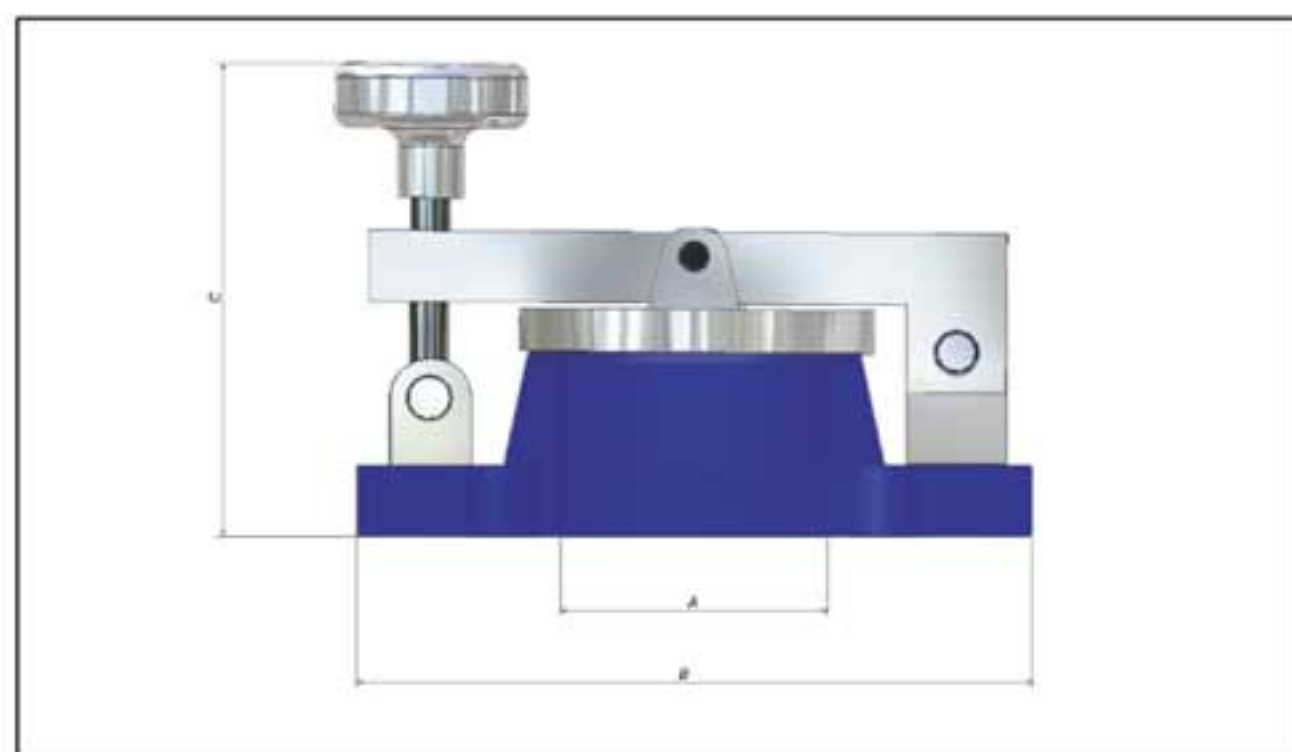
B500

B500 Series Gauge Hatches



DIMENSIONS B500 Free Lift

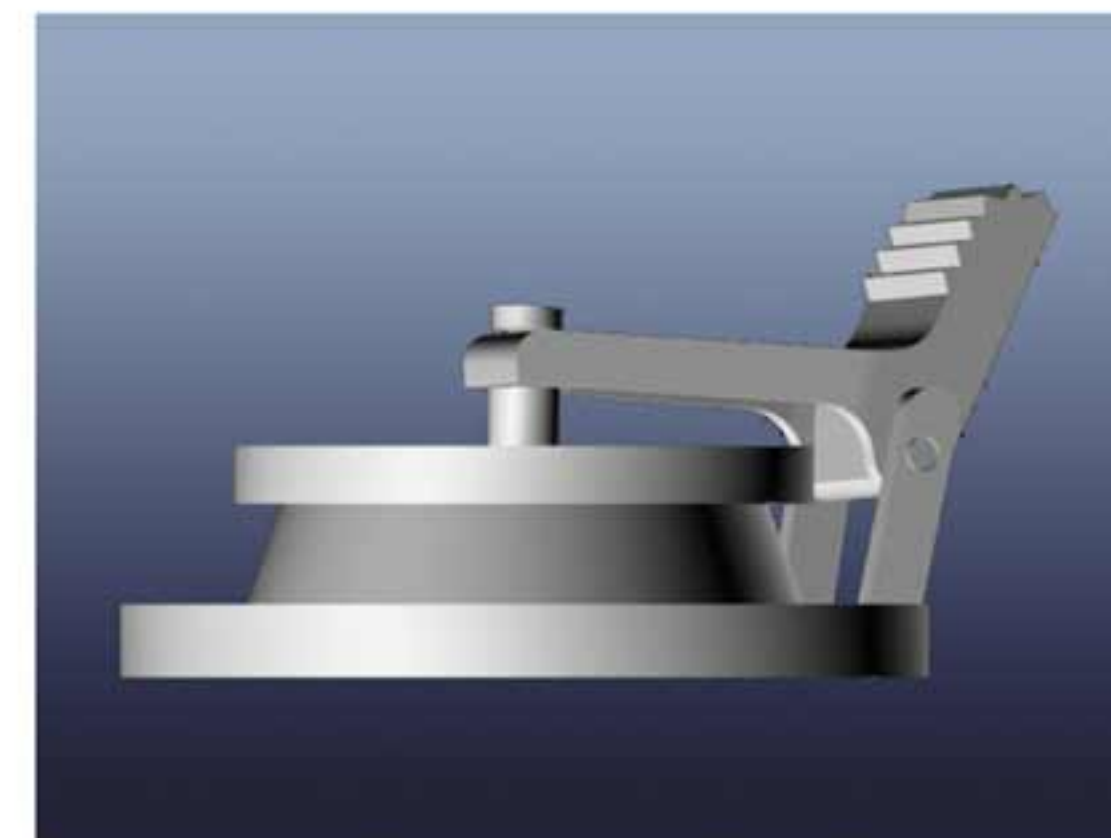
NOM SIZE	A	B	C
80 (3")	76	190	105
100 (4")	102	229	111
150 (6")	152	279	124
200 (8")	203	343	137



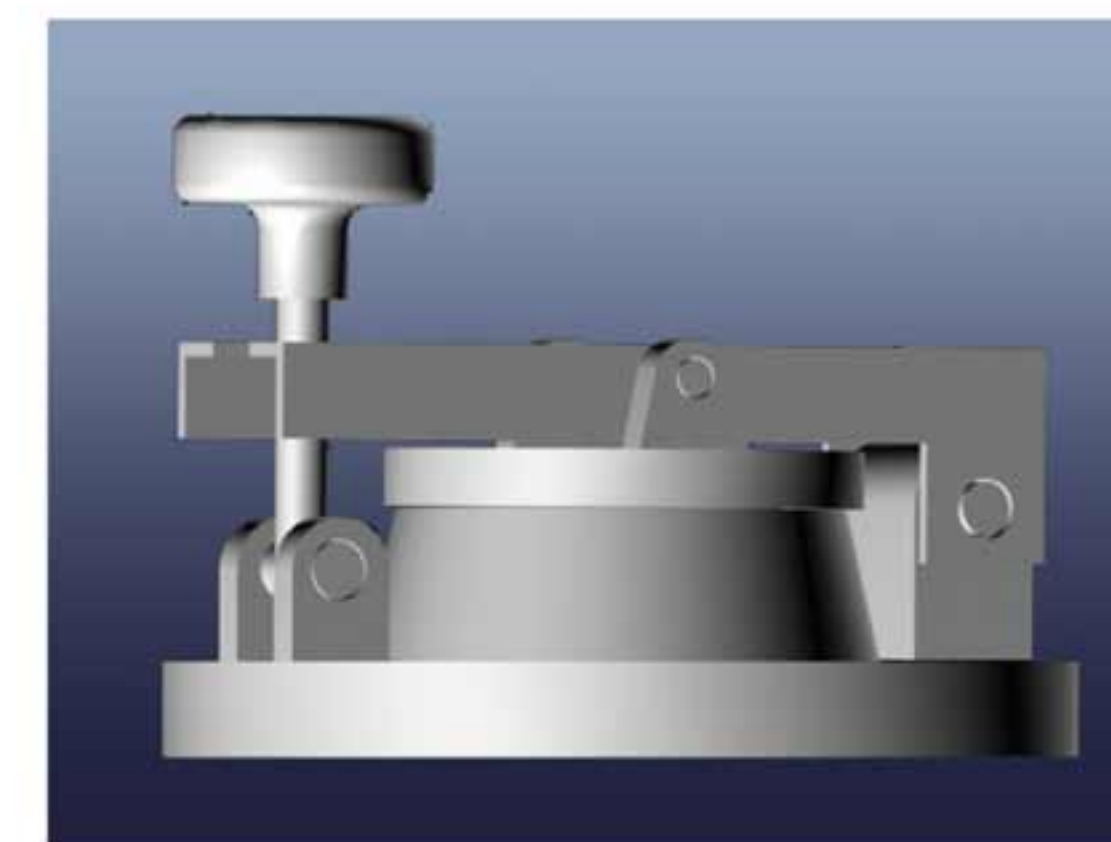
DIMENSIONS B500 Screw Down

NOM SIZE	A	B	C
80 (3")	76	190	110
100 (4")	102	229	116
150 (6")	152	279	129
200 (8")	203	343	142

The B500 Series are designed to provide access to tanks or vessels for sampling, measurement and inspection.



B500 Free Lift



B500 Screw Down



3B CONTROLS



3B CONTROLS

FEATURES

Low cost maintenance

Lightweight design provides easy handling whilst interchangeable components ensure standard parts are easily replaced.

Testing / Quality

All products are factory tested and fully certified.

Self Draining

All products are designed to ensure that condensate drains away from all seating areas.

Connections

All valves are supplied with full form flanges to meet individual requirements. Other connections are available upon request.

Non Standard Applications

There are numerous options available for special applications. Exotic materials such as Hastelloy, Monel and various plastics can be offered to suit the most hazardous of environments. Special coatings can also be applied for extreme service. For low temperature duties, internal parts can be PTFE coated to prevent seizure.

See separate section in catalogue.

* All products are subject to continuous development and subsequently 3B Controls reserve the right to change specifications outlined in this catalogue without notification.

MATERIALS

Body

Aluminium
Carbon Steel
Stainless Steel

O'Ring

Viton / P.T.F.E
Others consult factory

Internals

Stainless Steel

Flanges

ANSI 125 ANSI 150 RF
DIN Standard flanges

- Size range 3" (100 mm) – 8" (200 mm)
- Free lift or screw down option
- Standard body materials – Aluminium, Carbon steel, Stainless steel
- O'Ring seals
- Standard full form flanges – ANSI / DIN
- **Non standard applications – Consult factory**

Säötö
www.saato.fi